

vft
black line
pumps



Black Hawk
BH4-21

Fire Pump BH4-21

Up to 28 bar and 390 l/min

The **BH4-21** fire pump is within the vft Black Hawk line of portable fire pumps. It combines a powerful air-cooled **Honda GXH630 21HP** engine with electronic cut-off, with the Speed Inserter vft and the VFT_4SP 4-stage centrifugal pump, offering excellent working capacity at high pressures and high flow rates. This combination can make long hose runs both in series and in parallel without losing performance.

It has a quick coupling system for the **VFT_4SP pump** that allows it to be replaced in the shortest possible time if a breakdown occurs. This pump is also used in the **BP4, BH4-13, BH4-18 and BH4-23** fire pumps, which allows a better management of the spare parts stock.

- > Components made of high quality aluminum and stainless steel.
- > Spare parts available through customer.service@valfirest.com.
- > With the best quality / price ratio.
- > 2 years warranty.

Applications

- Direct attack.
- Long hoses laid.
- Self-protection maneuvers with sprinklers.
- Tandem pumping for long distances.
- Parallel pumping for higher volumes.
- Assembly in skid units and extinguishing vehicles.

Features

- Electric starter (with extra battery included).
- VFT_4SP pump easily interchangeable thanks to a quick release clamp.
- Compatible with VFT_3SP 3-stage and VFT_2SP two-stage pumps.
- Maintenance-free speed increaser. Made of cast aluminum and high quality components.
- Choice of transport base: tubular frame (for greater maneuverability), or base for assembly on vehicles.
- Hand priming pump and pressure gauge included.
- Non-return valve for impulsion included.
- Pump compatible with foam-forming agent.



Specifications

Engine	Honda GXH630
Centrifugal Pump	VFT 4 stage
Weight	86kg (dry)
Maximum Pressure	28 bar
Maximum Flow	390 l/min
Sizes	Length: 83 cm. Wide: 49,5 cm. Height: 48 cm.

1. Engine HONDA GXH630 21HP OHV



Engine Specifications

Engine	4 strokes 2 cylinder gasoline
Bore x Stroke	78 X 72 mm
Displacement	688 cm ³
Compression ratio	9.3 : 1
Power	20,8 HP (3.600rpm)
Nº Cylinders	2
Starter	Electric starter only.
Oil sensor	Yes
Engine oil capacity	1,9 L
Dimensions (l. x w. x h.)	405 mm x 410 mm x 438 mm
Dry weight	44,4 kg
Emissions certificate	EU stage V, EPA, CARB
Fuel cons.	6,0L/h - 3600rpm

2. 4-Stage centrifugal pump VFT_4SP



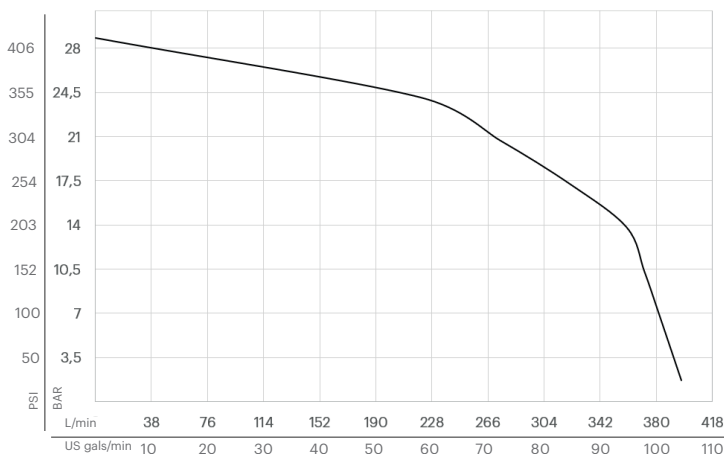
The VFT4SP is a compact, efficient and reliable 4-stage centrifugal pump. The body and impellers are made of anti-corrosive aluminum. The axis and other components are made of stainless steel. Includes a high-quality mechanical seal specifically designed for the Vallfirest pumps.

- Pump compatible with foam-forming agent.
- Compatible with fire pump models: **BP4, BH4-23, BH-18 and BH4-13.**

VFT4SP Specifications

Suction	2" NPSH
Impulsion	1,5" NPSH

3. BH4-21 Performance



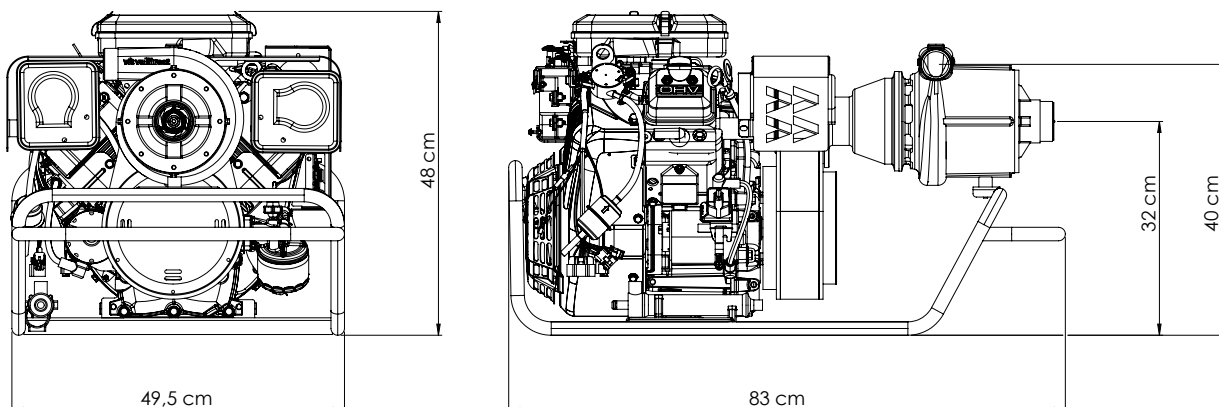
Max. Performance

Max. Flow	390 l/m
Max. Pressure	28 bar
Max. Water Gauge	285 mH2O

Pressure		Flow	
[Bar]	[PSI]	[L/Min]	[U.S. GPM]
24	348	215	56
14	203	352	92
3.5	50	378	99

4. Technical drawings

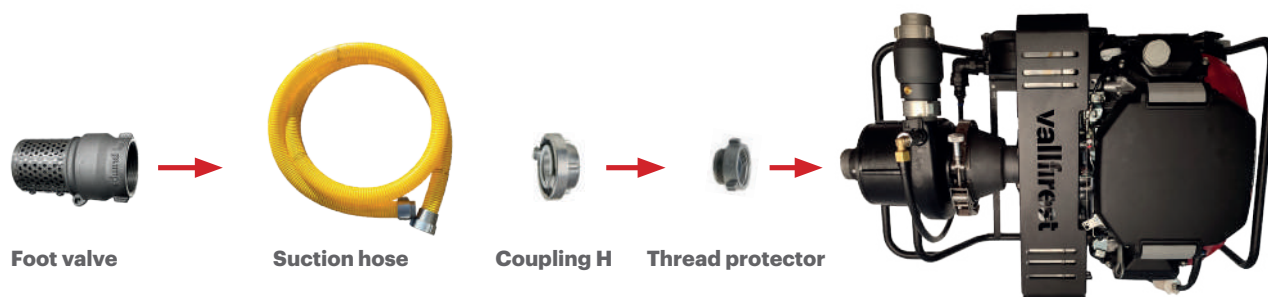
Length: 83 cm. | Wide: 49,5 cm. | Height: 48 cm.



5. Required components for operation

WATER SUCTION

A suction hose and foot valve are required to filter the water.



Foot valve

Suction hose

Coupling H

Thread protector

vallirest

OPERATION

A coupling wrench is required to tighten and loosen thread protectors / adapters. It is necessary to prime the pump manually before operating.



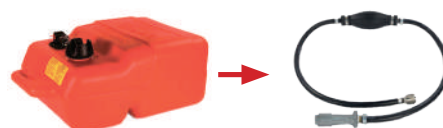
Coupling wrench



Manual priming pump(* included)

FUEL FEEDING

An external fuel tank and connection line are required.



12L - 25 L

Mercury connection

Fuel tank

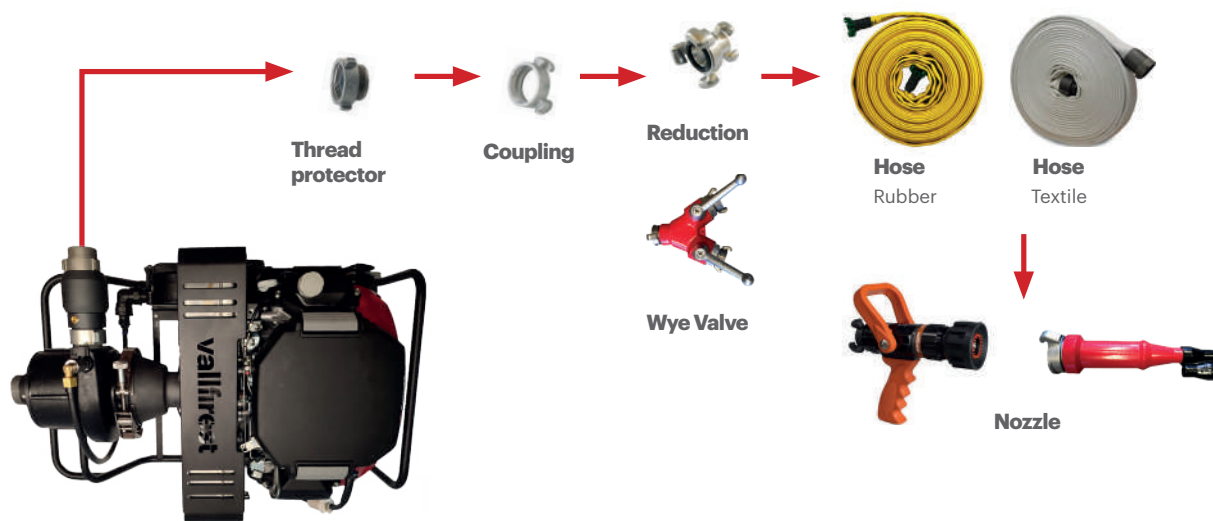
Fuel line

* See the different types of connection available: Chrysler, SAE, etc.

WATER IMPULSION

For the impulsion, choose the couplings according to the type of hose and the laying configuration: direct attack or connection in series or in parallel of several fire pump units.

* See our **Pump setup** sheet for more information.



6. List of components

Thread protectors

Necessary to protect the original threads of the pump and adapt the NPSH thread to any other type of thread, allowing the connection of other couplings.

- DVD3107-00001** NPSH-NPSH 1-1/2"
- DVD3107-00002** NPSH-BSP 1-1/2"
- DVD3107-00003** NPSH-NH 1-1/2"
- DVD3108-00001** NPSH-NPSH 2"
- DVD3108-00002** NPSH-BSP 2"
- DVD3108-00003** NPSH-NH 2"



vft Pumps coupling wrench

Allows safe tightening and loosening of thread protectors and couplings.

- DVD3112-00001**



vft Foot valve

The foot valve with non-return system filters the water and allows the suction circuit and the pump to be primed.

- DVD3105-00004** NPSH 2"
- DVD3105-00005** BSP 2"
- DVD3105-00006** NH 2"



Suction hose

Flexible wire reinforced suction hose.

- DVD3102-00001** 2" NPSH // L=3m
- DVD3102-00002** 2" BSP // L=3m
- DVD3102-00003** 2" NH // L=3m
- DVD3102-00004** 2" Storz 52-C // L=3m



Fuel tank

- DED6001-00001** 12L Tank
DED6001-00002 25L Tank



Fuel line

- DVD3116-AAA0A** Fuel line 1/4" for tank
(Mercury female - 1/4" NPT)
DVD3118-AAA0A Extension fuel line kit 1/4"
Mercury connector



7. Optional accessories

vft Pump repair kit

Includes different tools for the disassembly and assembly of the 2, 3 and 4 stage vft pumps.

- DVD3115-AAA0A** Repair kit for 2, 3 and 4 stage vft pumps



Hose choke

Tool that allows to quickly cut off the water flow to carry out operations such as, for example, lance changes or adding and removing hoses during direct attack.

- DED5800-00000** Hose choke FC-2540
DED5801-00000 Textile hose choke



Protection base

Folding base made of resistant and waterproof canvas. It serves as protection for the fire pump in aggressive terrain and to contain tools and accessories during operation.

- DVD3114-00001** Protection base



*See the price list to know all the components available depending on the threads, coupling types, diameters, etc. In case of doubt, contact your commercial agent or directly with customer.service@vallfirest.com.